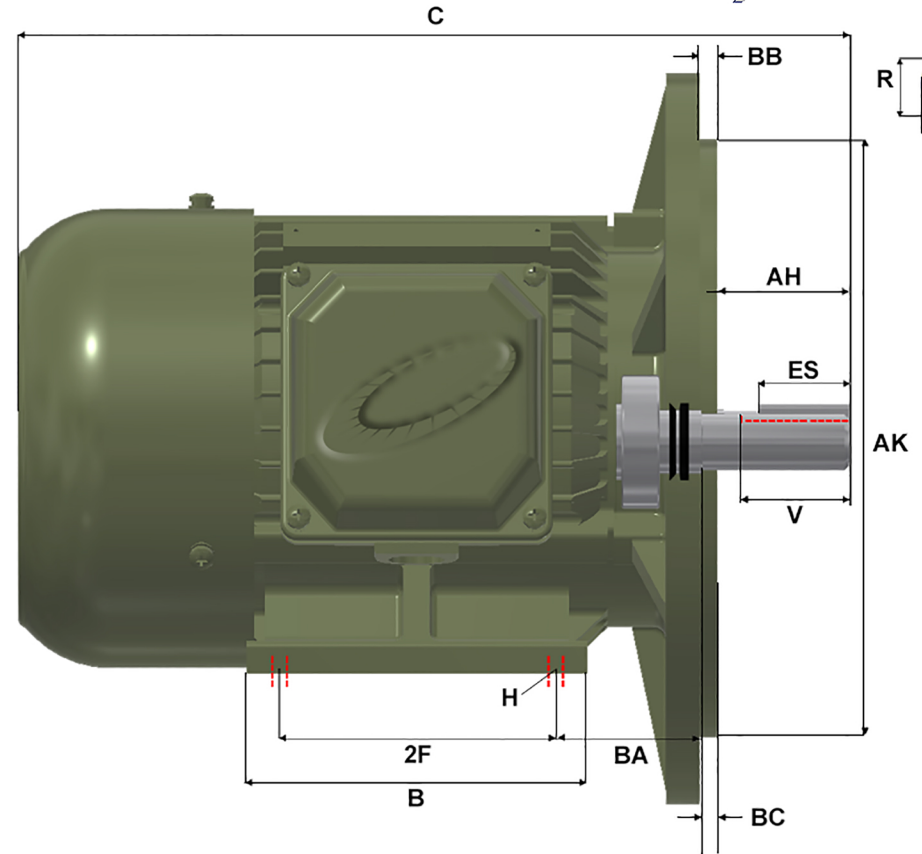
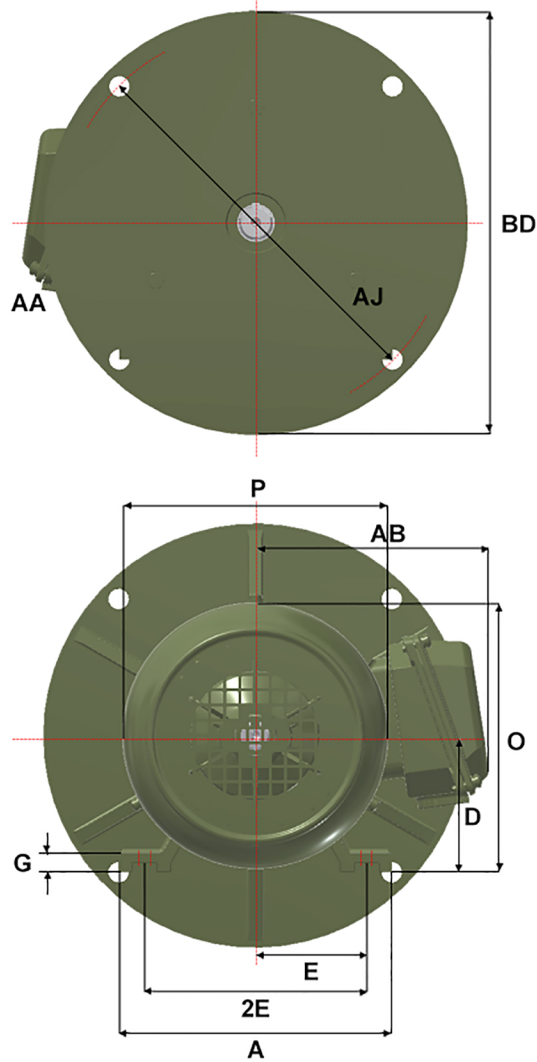


MaxMotion



Version: 2WTI		Revised: 08-10-2019		HP	RPM	FRAME	ENCLOSURE	MPP/MQP-2D								
Customer is responsible in determining that MEP product will fit/perform suitably in the intended application								1	1800	143TD	TEFC					
A	B	C	D	E	2E	2F	G	H	O	P	R	S				
T	U	V	AA	AB	AH	AJ	AK	BA	BB	BC	BD	ES				
7.00	5.20	13.60	3.50	2.75	5.50	4.00	0.50	4 * 0.34	7.10	6.95	0.771	0.188				
0.00	0.875	2.00	3/4 NPT	6.10	2.25	10.00	9.00	2.25	0.25	0.00	11.00	1.41				